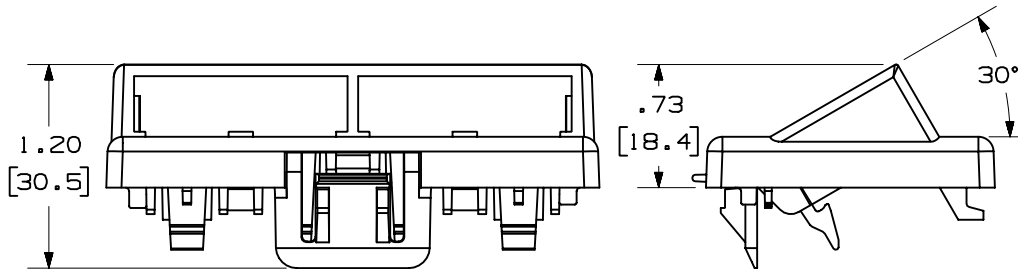
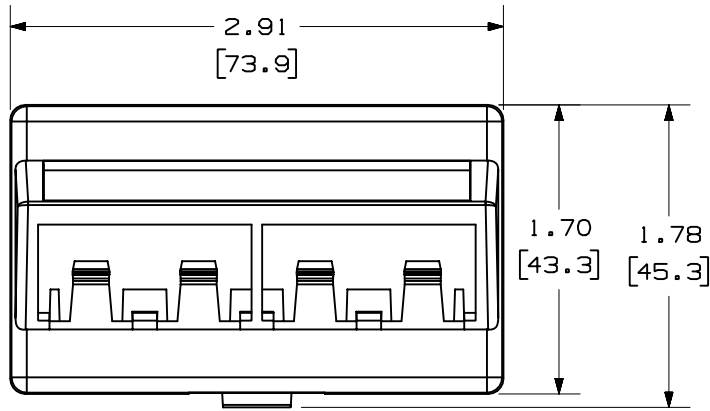
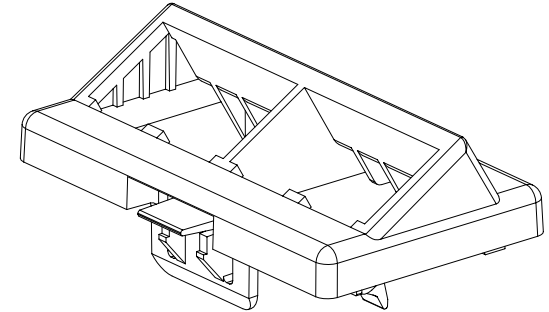


THIS COPY IS PROVIDED ON A RESTRICTED BASIS AND IS NOT TO BE USED IN ANY WAY DETRIMENTAL TO THE INTERESTS OF PANDUIT CORP.



PANDUIT P/N	WEIGHT
CFFPLA4**	.28 LB/10 PCS (128.3 g/10 PCS)

- NOTES:
- SEE CURRENT CATALOG FOR ADDITIONAL PART NUMBER SUFFIXES TO INDICATE COLOR AND OR PACKAGE QUANTITY.
 - SEE CATALOG FOR COMPLETE LIST OF PARTS APPLICABLE FOR USE WITH THIS PART.
 - DIMENSIONS IN PARENTHESES ARE IN METRIC.
 - FACEPLATE ACCEPTS 4 MINI-COM MODULES.
 - FACEPLATE COMES WITH LABEL AND LABEL COVER.
 - FACEPLATE SNAPS INTO STANDARD FURNITURE OPENING. (1.375 X 2.710)



MODEL FILENAME	M01327BD_CFFPLA4_01.PRT	SIZE	A
DRAWING FILENAME	M01327BD_DS_01A.PRT		

MINI-COM™ 4 POSITION ANGLED
MODULAR FURNITURE FACEPLATE WITH LABEL
CUSTOMER DRAWING

<p>PANDUIT® CORP. TINLEY PARK, IL 60477</p>	T.I. NUMBER	N/A	
	PRODUCT SPEC	N/A	
	WORK INSTRUCTION	N/A	
	SCALE	NONE	
<p>THIRD ANGLE PROJECTION</p>	<p>ALL DIMENSIONS ARE GIVEN IN INCHES, UNLESS OTHERWISE SPECIFIED.</p> <p>DIMENSIONAL TOLERANCES ARE: (.X) ±.03 (.XXX) ±.005 (.XX) ±.01 ANGLES ± 1°</p>	PART NO.	CFFPLA4**
DRAWN BY	JsP	MATERIAL:	ABS
DATE	2-14-02		
CHK'D		DRAWING NO.	01327-02

REV	DATE	BY	CHK	DESCRIPTION	ECN	R	CUST	SUP	OTH
R	2-14-02	JsP		RELEASED TO PRODUCTION					